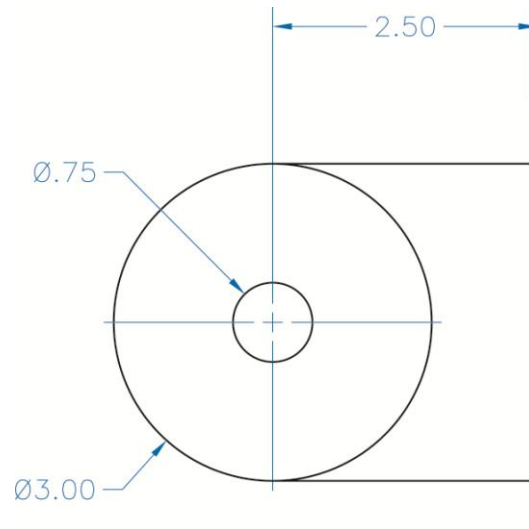


Exercise 12-6

1. Continue from Exercise 12-5 or start AutoCAD.
2. Start a new drawing from scratch or use a decimal-unit template of your choice. Save the drawing as EX12-6.



3. Draw the half object shown in the figure. Complete the object using the **MIRROR** command. Do not dimension.
4. Resave and close the file.
5. Continue to practice using the **MIRROR** command by completing act12-06.dwg available on the companion website.
6. Keep AutoCAD open for the next exercise, or exit AutoCAD if necessary.