

Exercise 27-5

1. Continue from Exercise 27-4 or start AutoCAD.
2. Open the EX27-4 file you saved during Exercise 27-4.
3. Save a copy of EX27-4 as EX27-5. The EX27-5 file should be active.
4. Open the HEAVY HEX NUT block in the **Block Editor**.
5. Use the **ERASE** command to erase all grips assigned to constraint parameters.
Use caution to remove just the grips, not the parameters or geometry.
6. Create a new non-annotative text style named ATT, and assign it the Arial font.
Set the new text style current.

- Use the **ATTDEF** command to create a non-annotative attribute using the following specifications:

Selected Modes: **Invisible, Preset, Lock position**

Tag: **DESIGNATION**

Prompt: Enter designation.

Default: (leave blank)

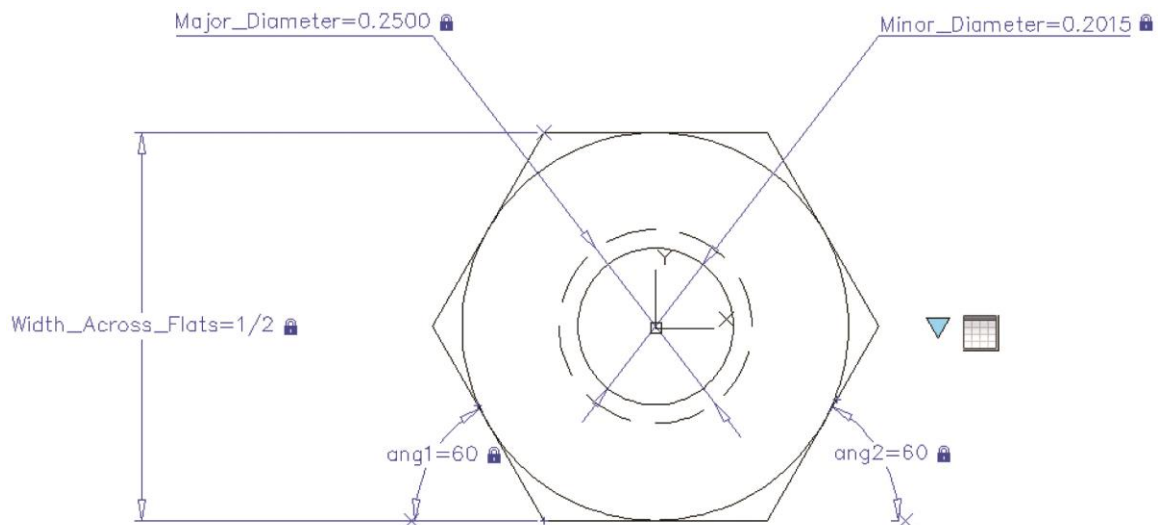
Justification: **Top Center**

Text style: **ATT**

Text height: **.0625**

Rotation: **0**

Insertion point: (Pick a location below the block geometry as shown.)



DESIGNATION

- Access the **Parameters Manager** and create a user parameter named **Thickness**, with an expression of $15/64$.

- Position a block table parameter with a grip as shown, and construct a block table with the following rows and columns:

Designation	Width_ Across_Flats	Major_ Diameter	Minor_ Diameter	Thickness
1/4-20 Heavy Hex Nut	1/2	0.2500	0.2015	15/64
1/2-13 Heavy Hex Nut	7/8	0.5000	0.4255	31/64
5/8-11 Heavy Hex Nut	1-1/16	0.6250	0.5365	39/64
3/4-10 Heavy Hex Nut	1-1/4	0.7500	0.6525	47/64
7/8-9 Heavy Hex Nut	1-7/16	0.8750	0.7665	55/64
1-8 Heavy Hex Nut	1-5/8	1.0000	0.8775	63/64

- Select the **Block properties must match a row in the table** check box, and audit the table to check for errors. Adjust the table as needed to correct any problems, and close the **Block Properties Table** dialog box.
- Enter the **Test Block Window**.
- Select the block to display the block table parameter grip. Use the grip and the shortcut menu repeatedly to view each block reference.
- Close the **Test Block Window** and make changes to the block if the objects did not adjust as expected.
- Retest the block if you made any changes.
- Save the block and exit the **Block Editor**.
- Insert the block into the current drawing and select it to display grips. Use the grip and the shortcut menu to activate the 7/8-9 Heavy Hex Nut.
- Resave and close the file.
- Keep AutoCAD open for the chapter review and problems, or exit AutoCAD if necessary.