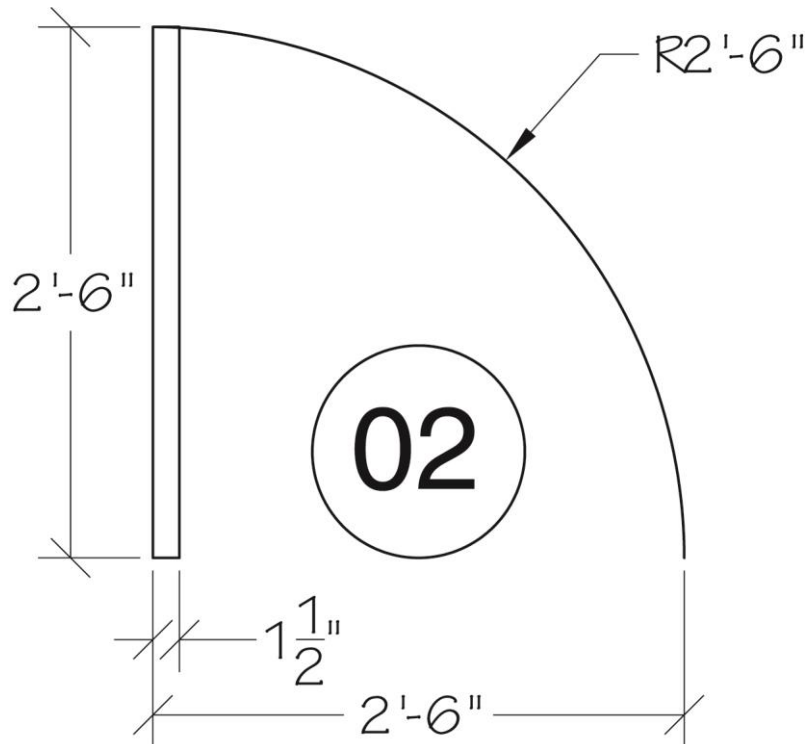


## Exercise 26-1

1. Start AutoCAD if it is not already started.
2. Start a new drawing from scratch or use an architectural-unit template of your choice. Save the drawing as EX26-1.



3. Draw a door 30" wide with a door tag as shown in the figure.
4. Create a block named DOOR from the objects.
5. Open the DOOR block in the **Block Editor**.
6. Insert a point parameter in the block. Label it DOOR TAG and specify the center of the door tag circle as the parameter location.
7. Save the block and exit the **Block Editor**.
8. Resave and close the file.
9. Keep AutoCAD open for the next exercise, or exit AutoCAD if necessary.