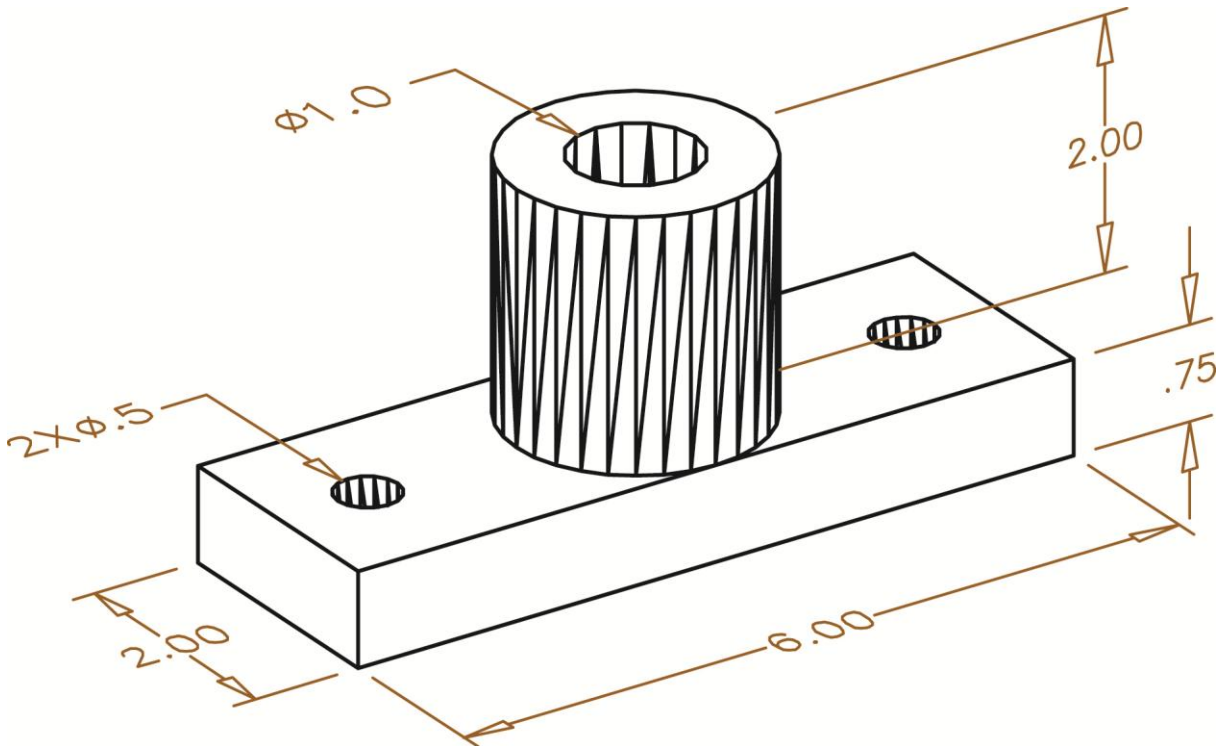


Exercise 16-1

See act16-01.dwg available on the companion website.

1. Begin a new drawing.
2. Construct the object shown in the illustration below.



3. Set the 2D Wireframe visual style current.
4. Change the **ISOLINES** value to 6, then 8, and finally 12. Regenerate the drawing after making each setting and observe the results. Use the **HIDE** command after making each setting. Regenerate the drawing before making the next setting.
5. Change the **DISPSILH** value to 1. Observe the difference. Use the **HIDE** command.
6. Change the **DISPSILH** value to 0. Set the **FACETRES** value to .1, .5, 1, and 2. Use the **HIDE** command after making each setting and observe the results.
7. Save the drawing as EX16-1.