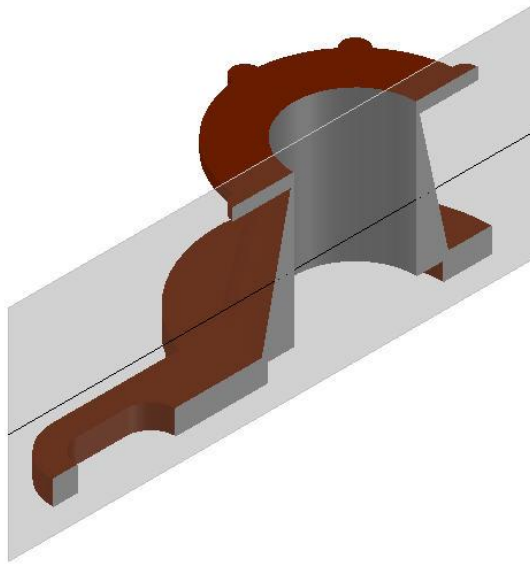
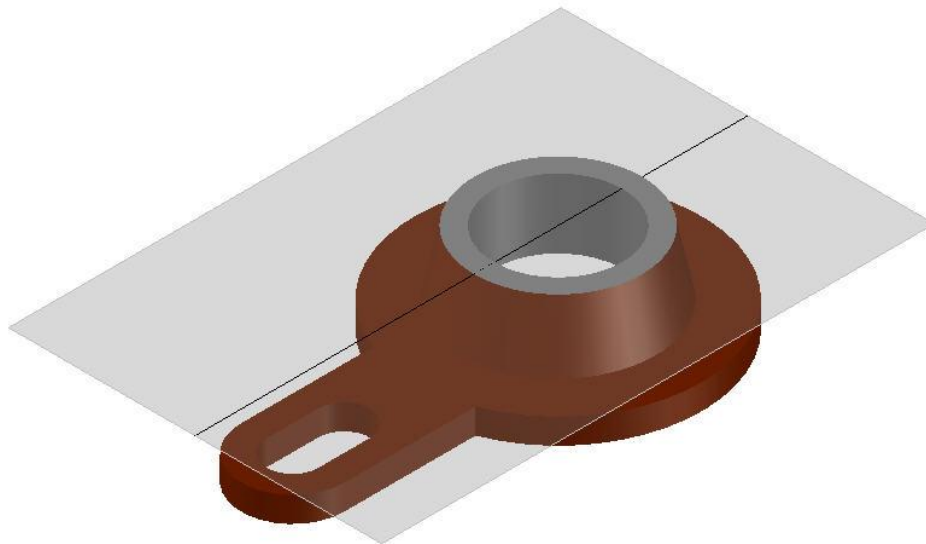


## Exercise 14-10

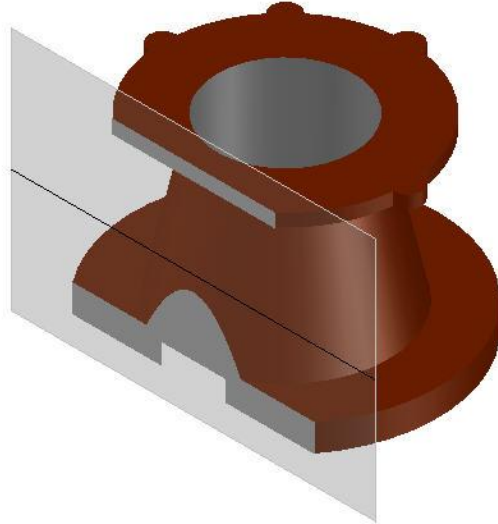
1. Open the drawing EX14\_10.dwg available on the companion website.
2. Create a section object using the **Orthographic** option of the **SECTIONPLANE** command. Use the **Front** option. The **Type** option should be set to the default **Plane** option. Turn on live sectioning, if it is not already on. Refer to the illustration below.



3. Delete the section object.
4. Create another section object using the **Top** orthographic option. The **Type** option should be set to the default **Plane** option. Turn on live sectioning, if it is not already on. Refer to the illustration below.



5. Delete the section object.
6. Create a section object using the **Left** orthographic option. The **Type** option should be set to the default **Plane** option. Turn on live sectioning, if it is not already on. Refer to the illustration below.



7. Save the drawing as EX14-10.