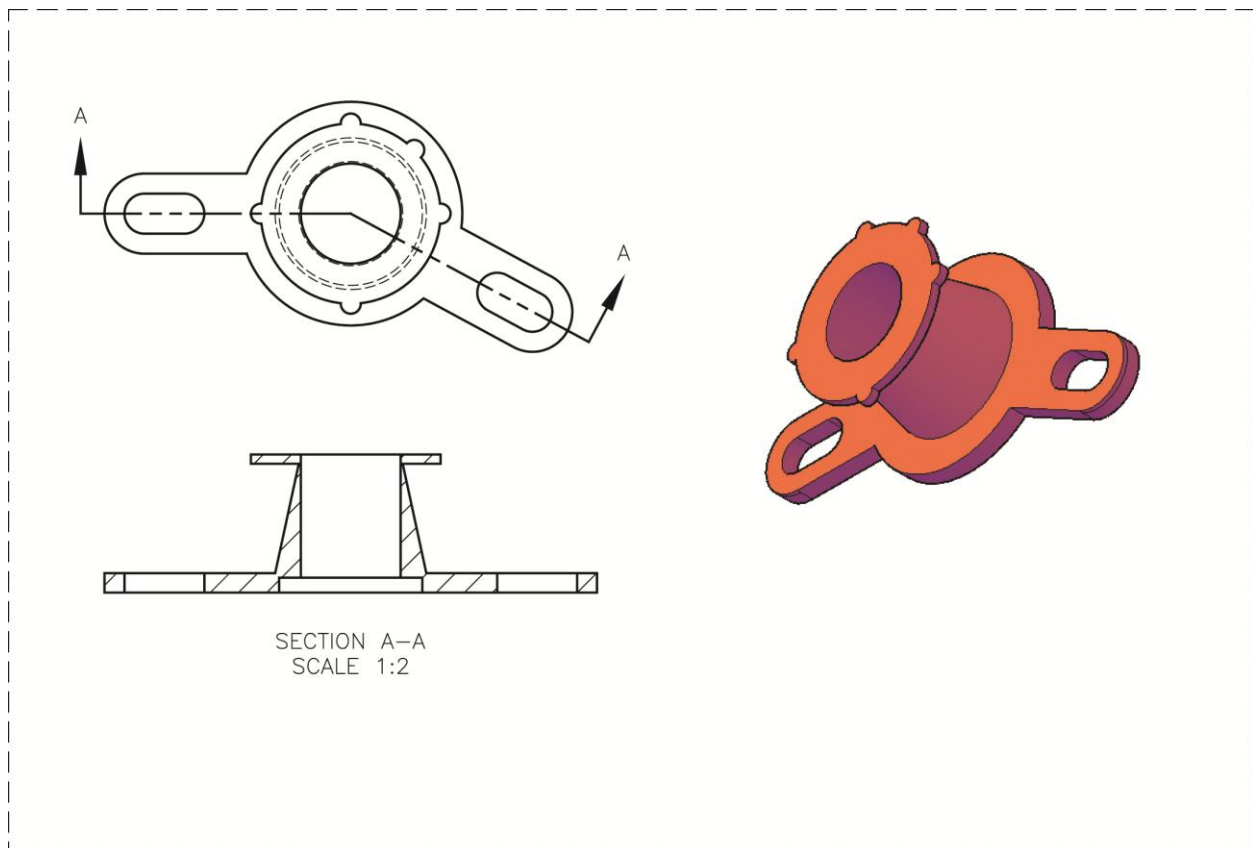


Exercise 14-5

1. Open the drawing EX14_05.dwg available on the companion website.
2. Switch to the B-Size layout.
3. Referring to the illustration below, create the top view as the base view. Use a scale of 1:2.
4. Create an aligned section view as the front view. Use object snaps and tracking as needed to draw the section line. As an alternative, you can draw a polyline to locate the section line and select it when creating the section view.
5. Set the **Projection** option to **Normal**.
6. Create a new section view style or modify the current style and set the text height for the section identifier and view label to .125".
7. Create the isometric view as a projected view from the top view. The isometric view should be a shaded view as shown.



8. Save the drawing as EX14-5.