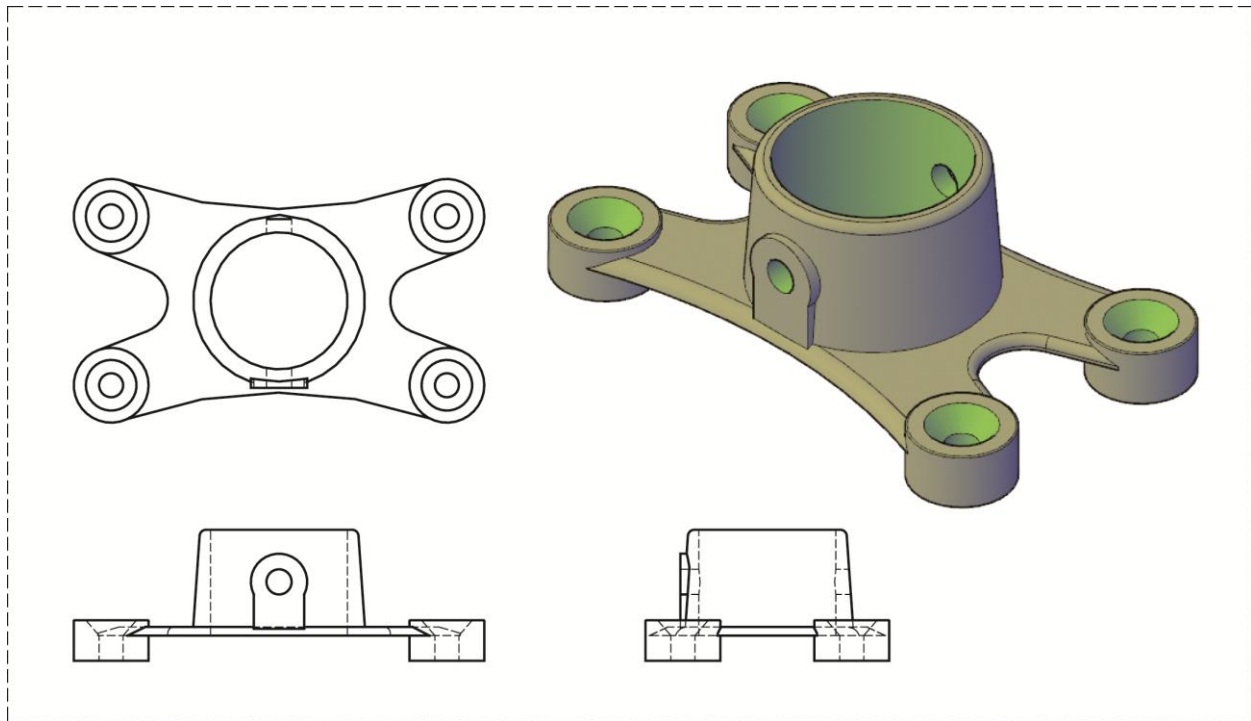


Exercise 14-1

In this exercise, you will create a four-view drawing of the base support. You will place the views and then edit the view properties as needed.

1. Open the drawing EX14_01.dwg available on the companion website.
2. Switch to a layout tab. Set up a page layout using the ANSI B (17.00 × 11.00 Inches) paper size.
3. Place the views as shown in the illustration below. Select the appropriate orientation for each view. Use a scale of 1:1 for the three orthographic views and a scale of 1.5:1 for the isometric view.



4. The isometric view should be a shaded view as shown.
5. Save the drawing as EX14-1.