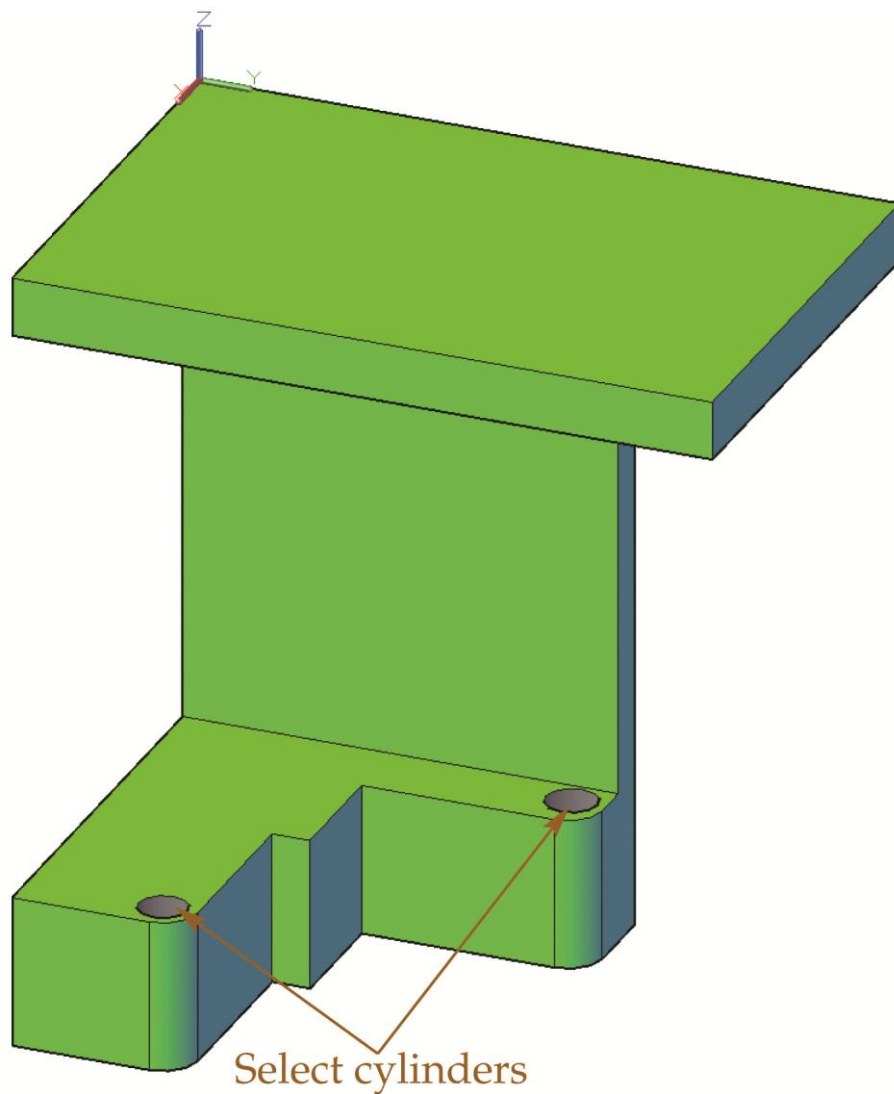


## Exercise 12-7

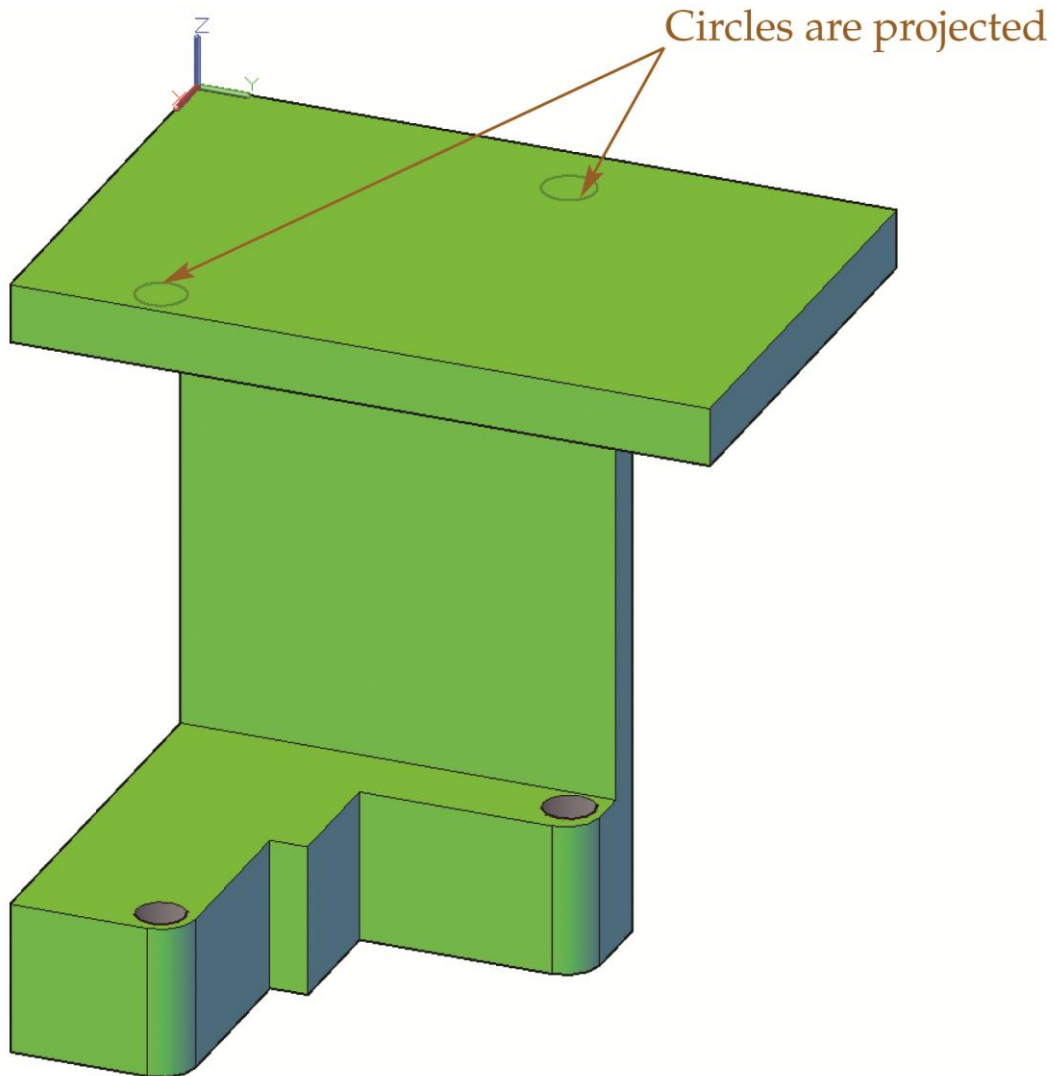
In this exercise, you will extract the edges of two cylinders and project these edges to a solid surface face. You will then extrude the edges to create two new holes.

1. Open the drawing Xedges\_base.dwg available on the companion website.
2. Set the transparency of the Projection layer to 80.
3. Press the [Ctrl]+[W] key combination to turn on selection cycling.
4. Enter the **XEDGES** command. Use the [Ctrl] key selection method and select the two cylinder faces, as shown in the following illustration.



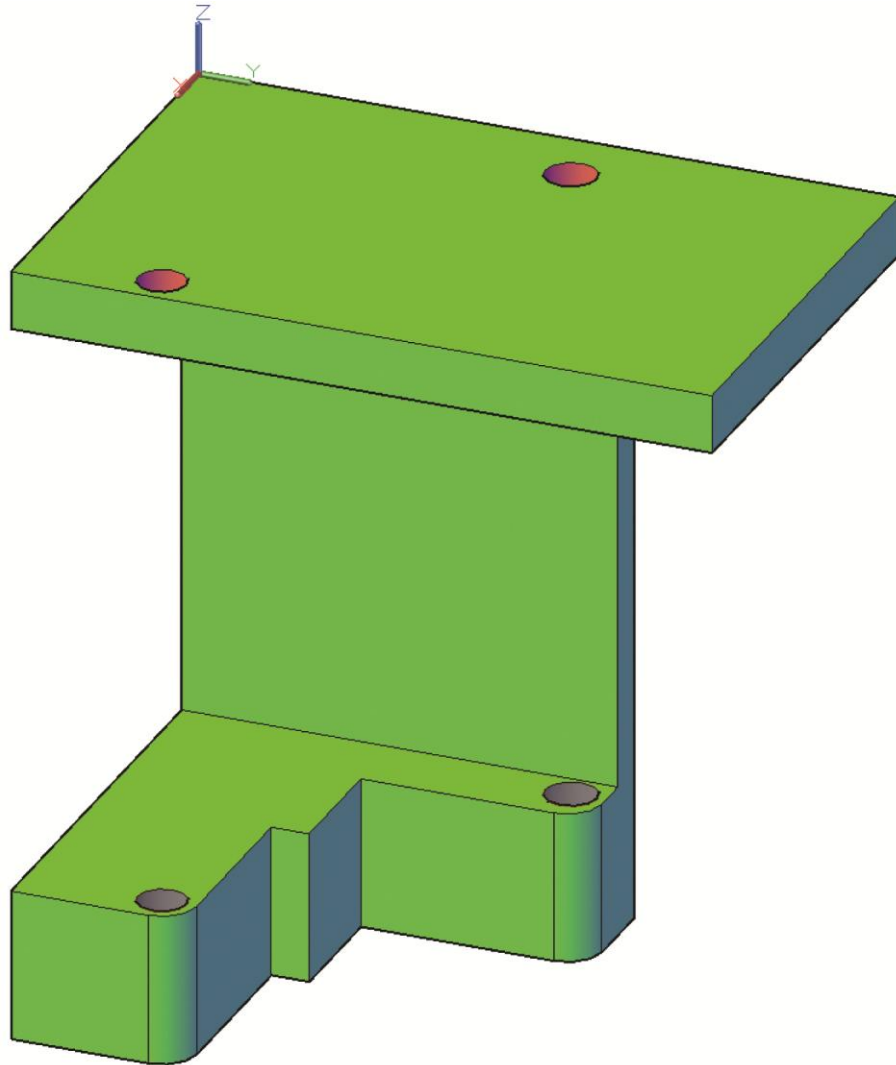
5. In the ribbon, select **Surface>Project Geometry>Surface Projection UCS**. Then, pick the two extracted edges (circles). Finally, select the solid as the target for the projection.

The current UCS is located on the top face of the solid, so the circles are projected there. See the following illustration.



6. Set the Model layer current and set its transparency to 0.
7. Extrude the two circles into solids extending down through the top plate.

8. Subtract the two extruded cylinders from the base model. See the following illustration.



9. Use the **SOLIDEDIT** command to change the color of the faces of the new holes to red.
10. Save the drawing as EX12-7.