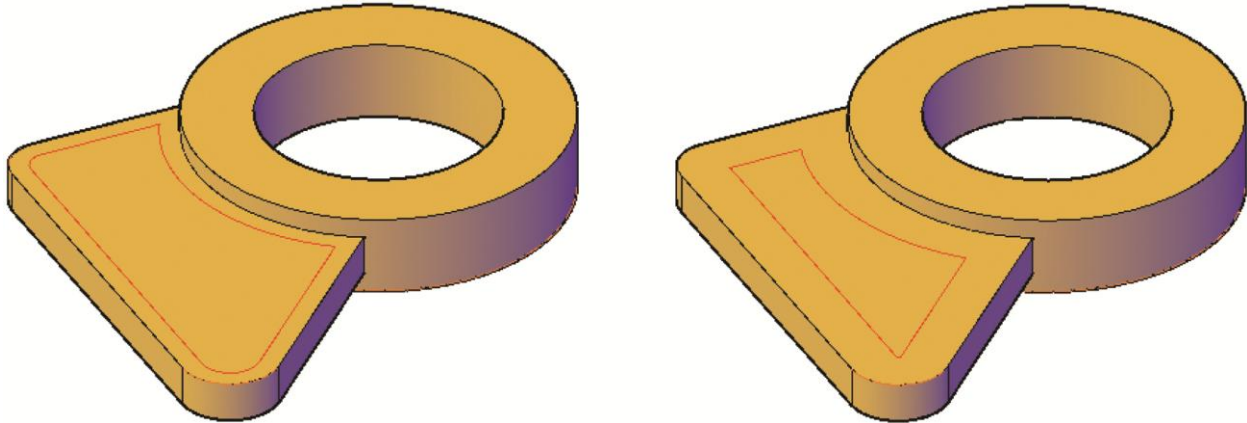


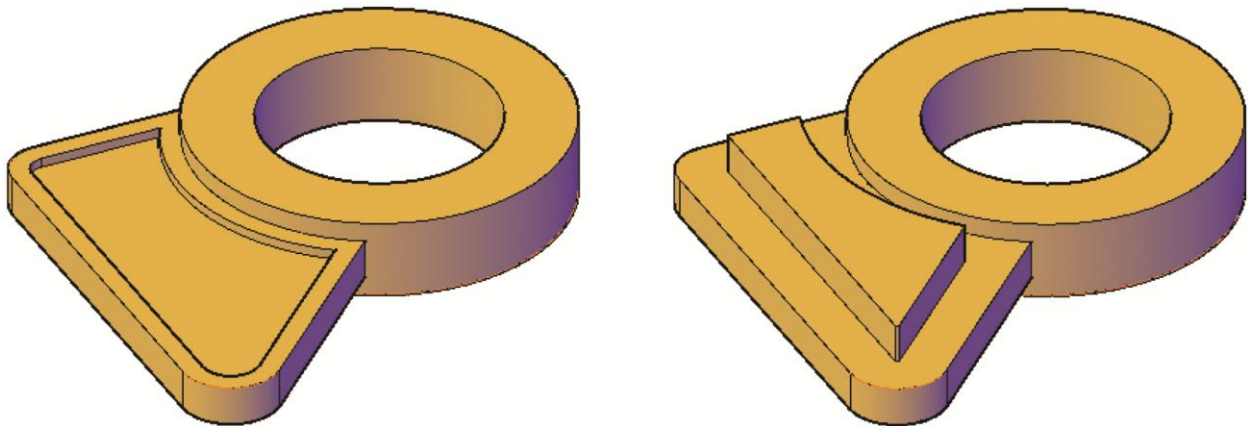
Exercise 11-6

In this exercise, you will use the **OFFSETEDGE** command to create a closed polyline. You will then use the **PRESSPULL** command to create a new feature from the polyline. You will also subobject edit a 3D solid part.

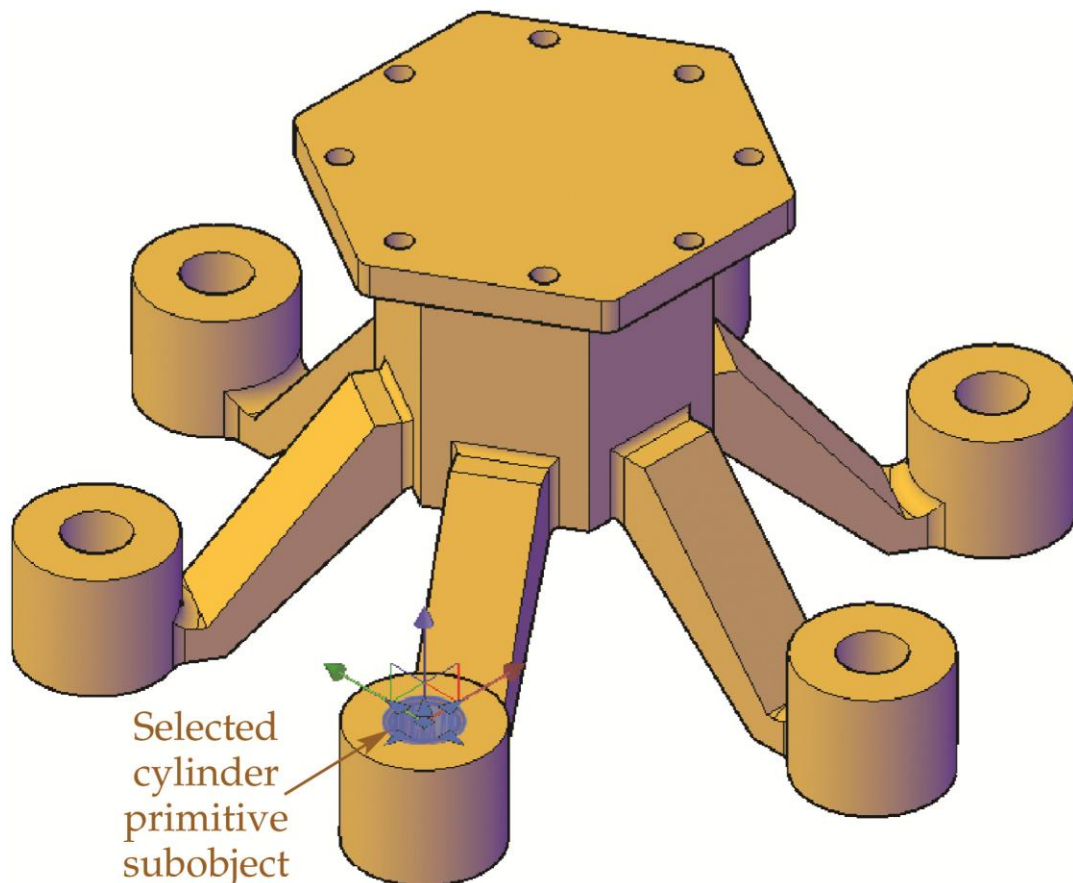
1. Open the drawing EX11_06A.dwg available on the companion website.
2. Use the **OFFSETEDGE** command to create an offset at a distance of .25" on the first base support. Create the offset with rounded corners. Refer to the illustration below.
3. Use the **OFFSETEDGE** command to create an offset at a distance of .6" on the second base support. Create this offset with square corners. Refer to the following illustration.



4. Use the **PRESSPULL** command on the first base support to create a .125" deep pocket. Refer to the following illustration.
5. Use the **PRESSPULL** command on the second base support to create a .5" boss. Refer to the following illustration.
6. Save the drawing as EX11-6A.



7. Open the drawing EX11_06B.dwg available on the companion website.
8. Press and hold the [Ctrl] key and pick each fillet to edit the fillets.
9. Right-click and open the **Properties** palette.
10. Change the radius of all fillets to .125. The fillets after editing are shown in the illustration below.
11. Edit the cylinder primitive subobjects used to create the six feet. Refer to the following illustration. After selecting the primitive subobject, right-click and open the **Properties** palette. Change the radius of each cylinder to 1.000.



12. Select the top face of the part and pick on the parameter grip in the center. Use dynamic input to change the height to 2 units to create a 2" top thickness. Notice that the drilled holes are no longer visible and need to be edited.

13. Edit the 8 holes so they cut through the top of the part. Use the **Properties** palette. Switch to a wireframe display if needed. Make sure the holes extend in the correct direction. The completed model is shown in the illustration below.
14. Save the drawing as EX11-6B.

