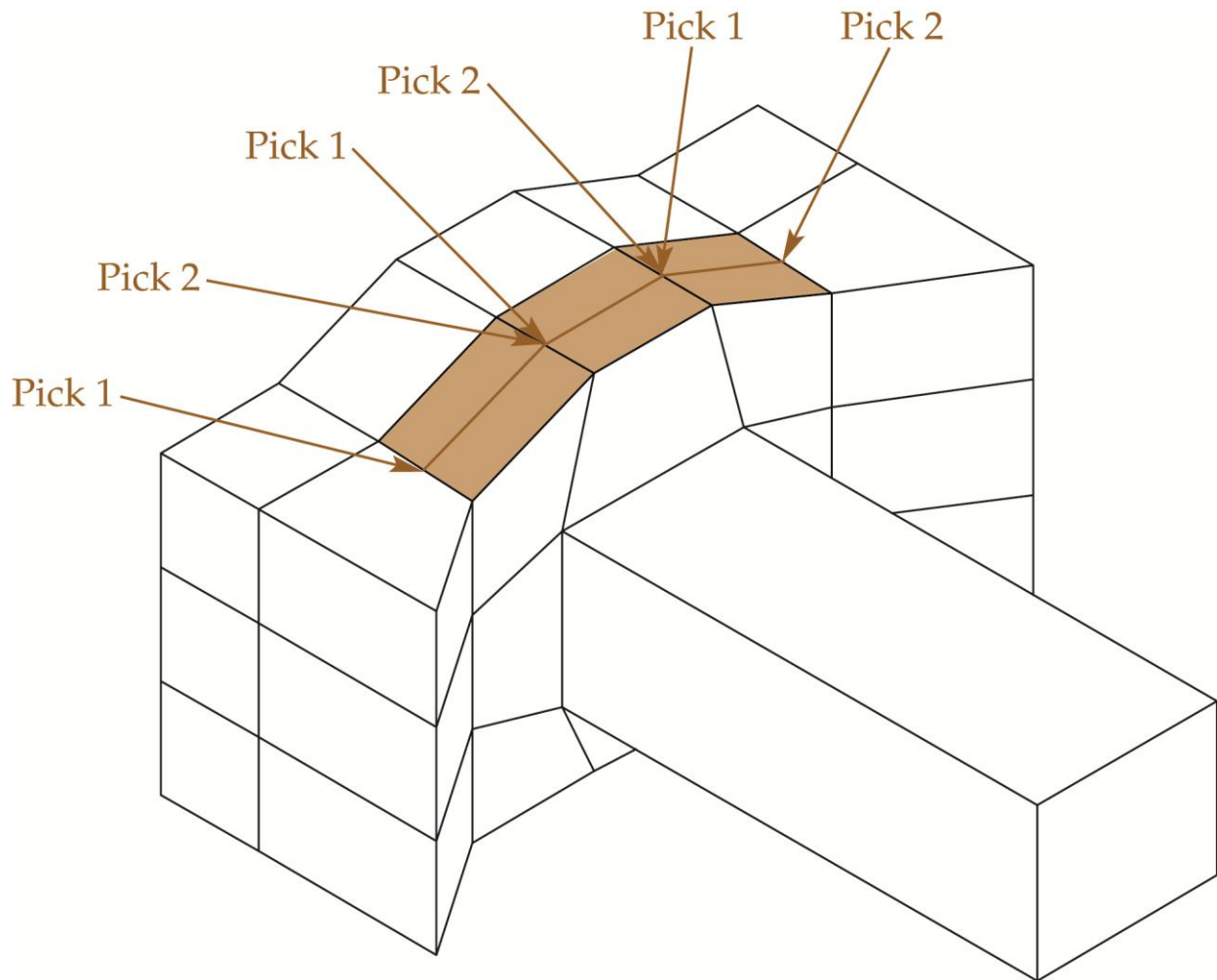


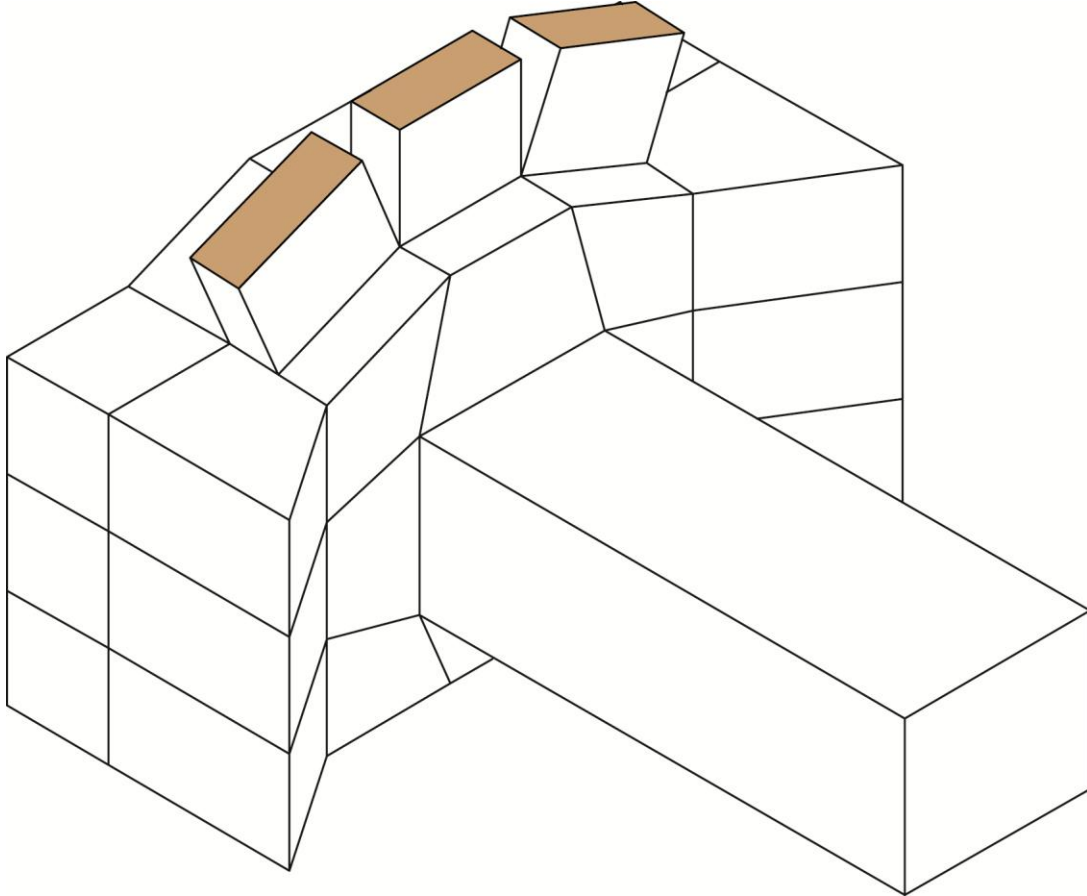
Exercise 9-6

In this exercise, you will split faces on a mesh model. Then, you will extrude those new faces. This is a conceptual camera model. You will continue with this model in the next exercise.

1. Open the drawing EX09_06.dwg available on the companion website.
2. Enter the **MESHSPLOT** command.
3. Split the three faces shown in the following illustration. The pick points are the midpoints of the face edges.



4. You have added a middle row of three faces to the top of the camera. Using the **MESH EXTRUDE** command, extrude each of these faces 25 units above the camera top as shown in the following illustration.



5. Save the drawing as EX9-6. You will use this drawing in the next exercise.