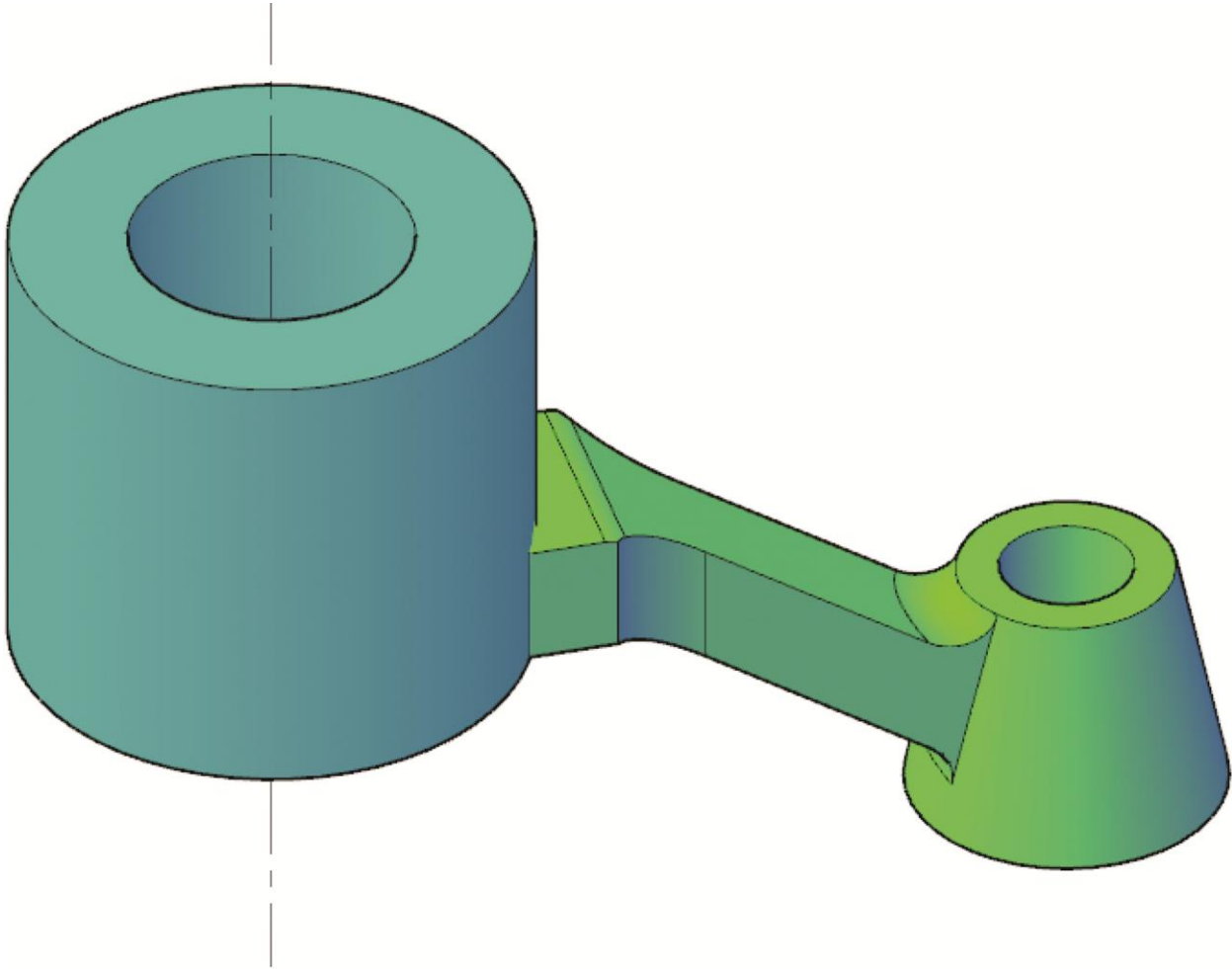


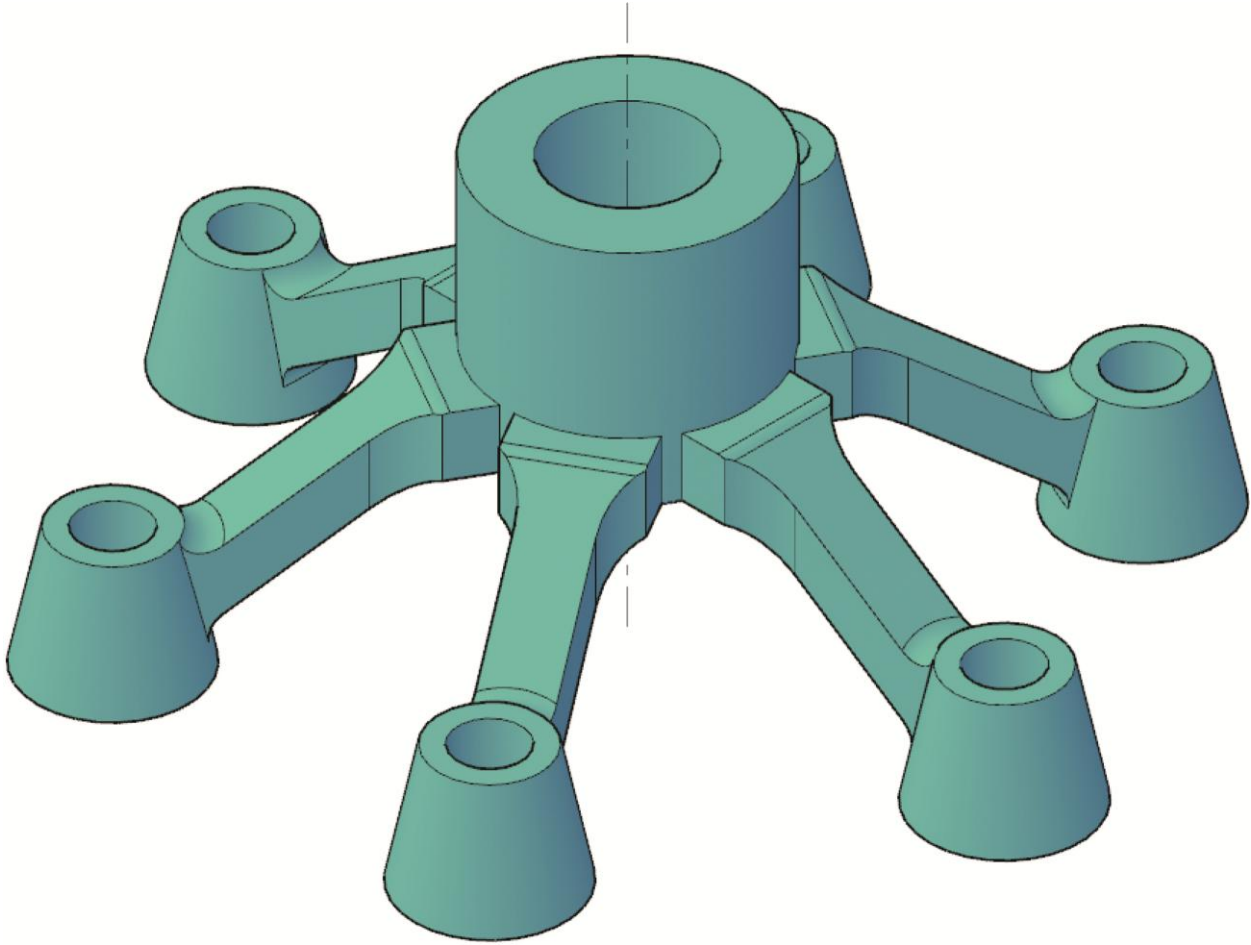
Exercise 8-6

1. Open the drawing EX08_06A.dwg available on the companion website.
2. Use the **ARRAYPOLAR** command to array the single leg around the hub shown in the following illustration.



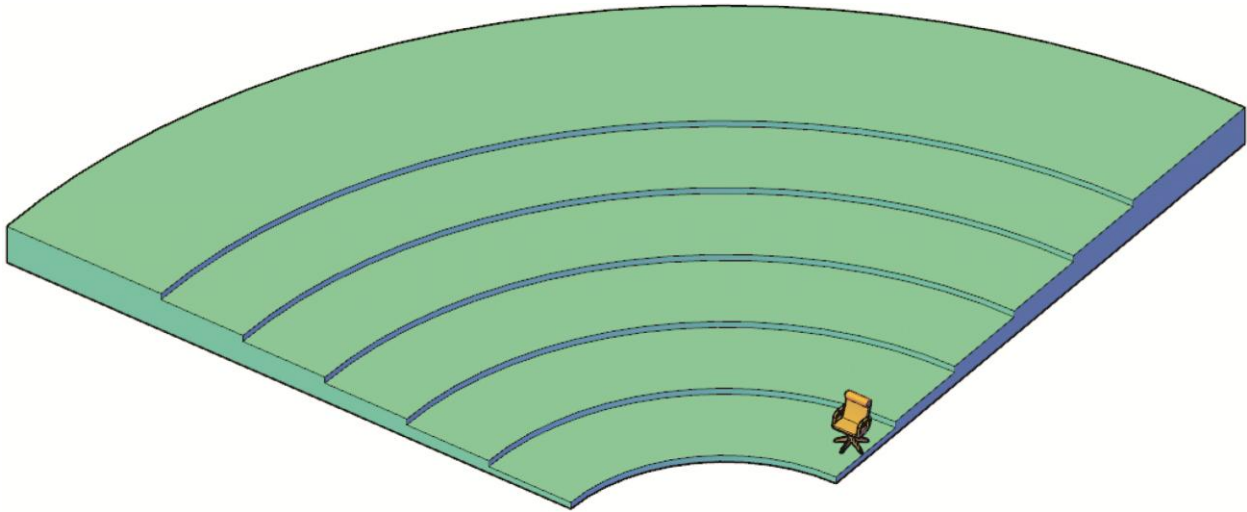
3. Select the leg as the object to array and specify a total of 6 objects that are rotated as they are arrayed through 360°.
4. Use the **Associative** option to create a non-associative array.

5. After creating the array, union the legs to the hub shaft as shown in the following illustration.

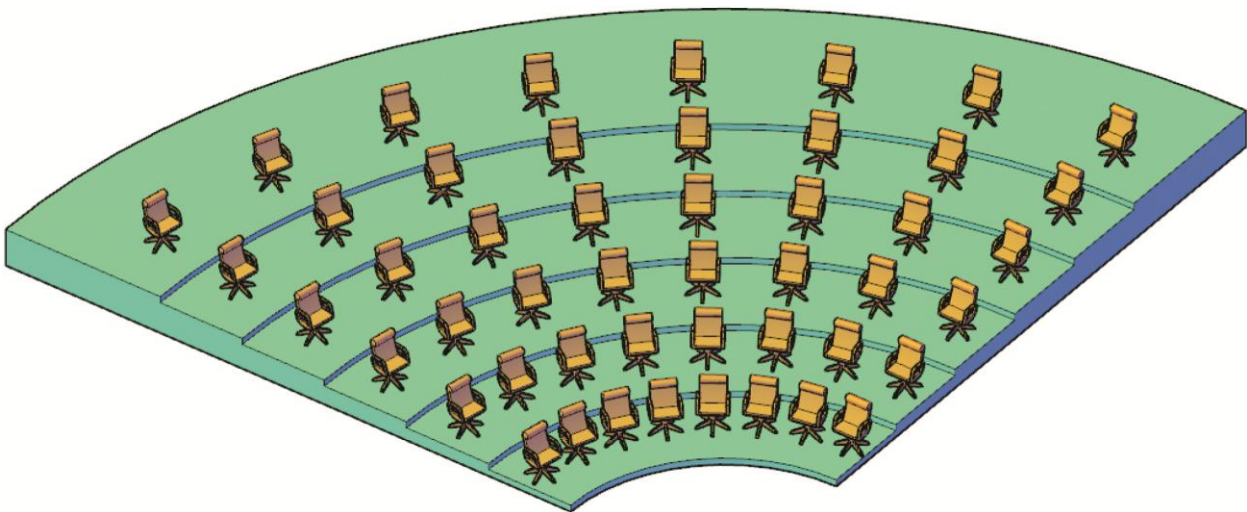


6. Save the drawing as EX8-6A.
7. Open the drawing EX08_06B.dwg available on the companion website.
8. Use the **ARRAYPOLAR** command to create an associative array of seats arranged in multiple rows.

9. Select the first seat as the object to array as shown in the following illustration. Select the center of the top arc of the first platform as the center point of the array.

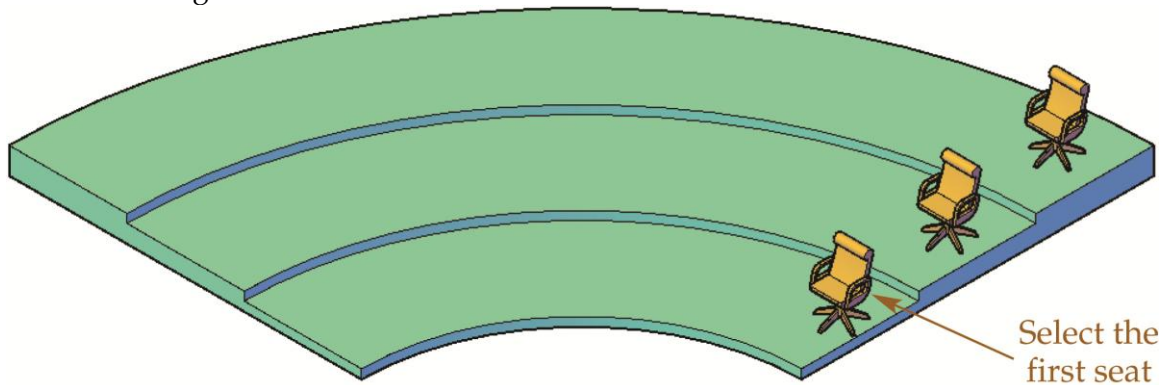


10. Specify a total of 8 objects and a fill angle of 80° .
11. Create 6 rows, each spaced 96 units apart, as shown in the following illustration. Specify an incrementing elevation value of 7 units.



12. Save the drawing as EX8-6B.
13. Open the drawing EX08_06C.dwg available on the companion website.

14. In this exercise, you will create 3 rows of seats. The first row will have 8 seats, the second row will have 9 seats, and the third row will have 10 seats. You will create three individual polar arrays. Create each array as an associative array. Use the center of the top arc of each platform as the center of rotation. You will edit the third-row array.
15. Select the **ARRAYPOLAR** command and select the seat on the first row as shown in the following illustration.



16. Specify a total of 8 objects and a fill angle of 80° .
17. Re-enter the **ARRAYPOLAR** command to complete the second and third row. Use 9 seats for the second row and 10 seats for the third row.
18. Pick on any seat in the third row and access the **Properties** palette. Change the number of items to 12.
19. Press and hold the [Ctrl] key and select the two middle seats in the back row. Delete the two seats as shown in the illustration below.
20. Save the drawing as EX8-6C.

To continue practicing 3D arrays, complete act08-06.dwg available on the companion website.

