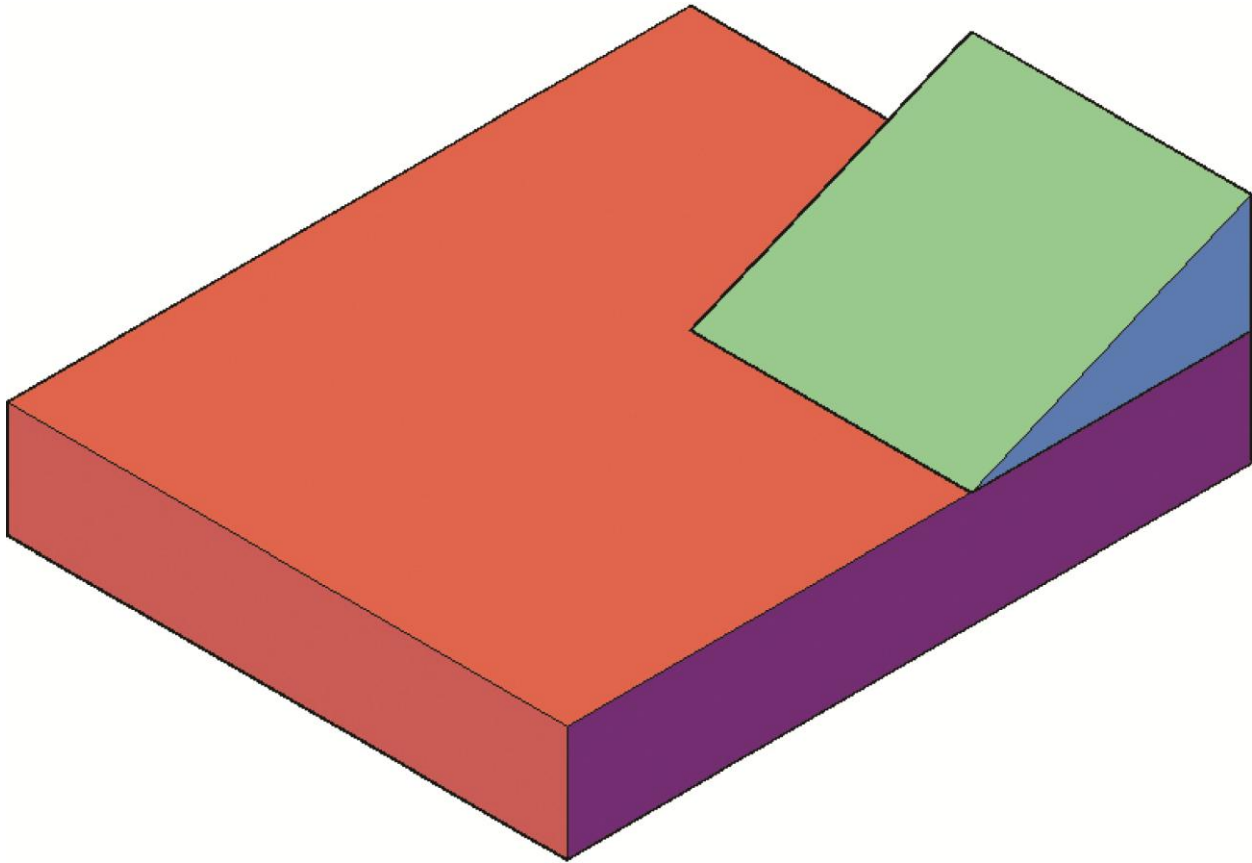


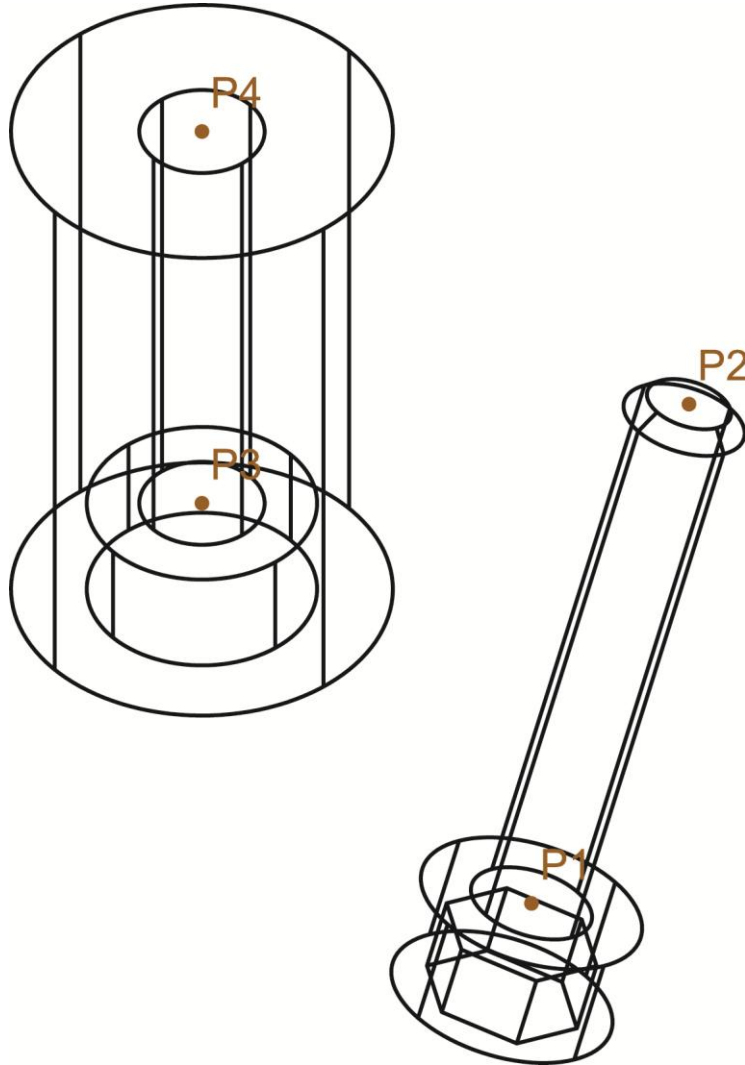
## Exercise 8-1

1. Begin a new drawing.
2. Draw a box and a wedge arranged like those shown in Figure 8-5A in the text.
3. Use the **3DALIGN** command to create the arrangement as shown in the following illustration.



4. Save the drawing as EX8-1A.
5. Open the drawing Cylinder\_align.dwg available on the companion website. You will align the socket head cap screw to the cylindrical support.
6. Enter the **3DALIGN** command.

7. Use the socket head cap screw as the source alignment object. Select the bottom of the socket head cap screw for the first source point. This is the center at point P1 in the following illustration.



8. Select point P2 as the second source point.
9. When prompted for the third source point, press [Enter].
10. Select point P3 as the first destination point.
11. Select point P4 as the second destination point.
12. When prompted for the third destination point, press [Enter].

13. The cap screw is aligned in the mating hole, as shown in the following illustration.  
Save the drawing as EX8-1B.

