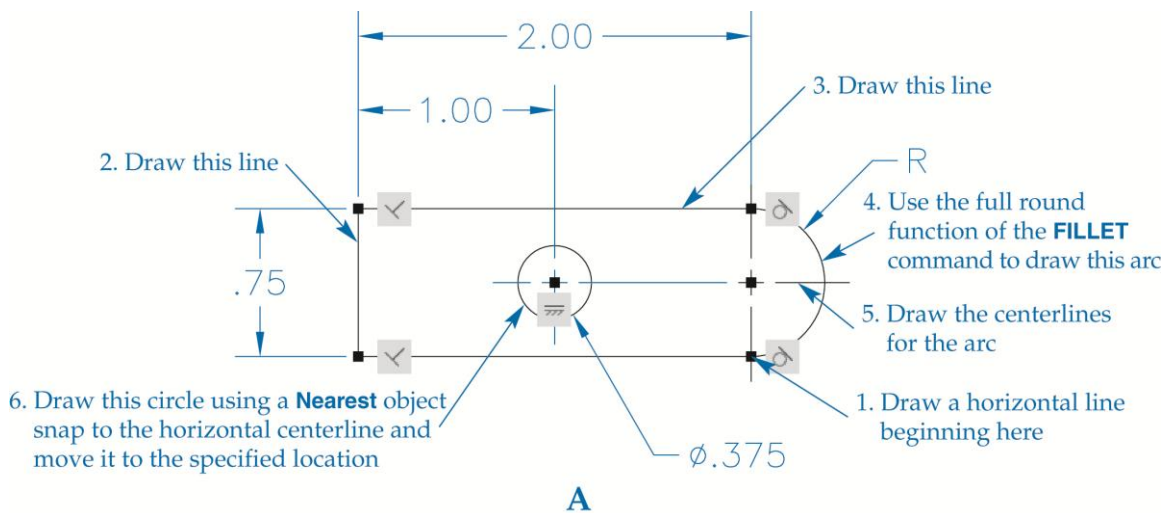
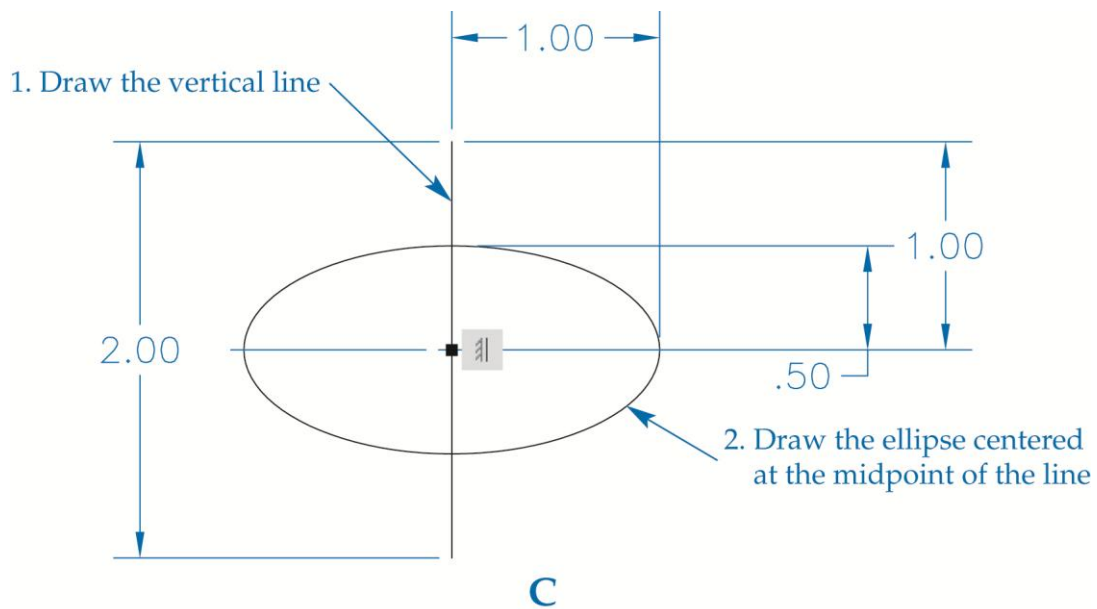
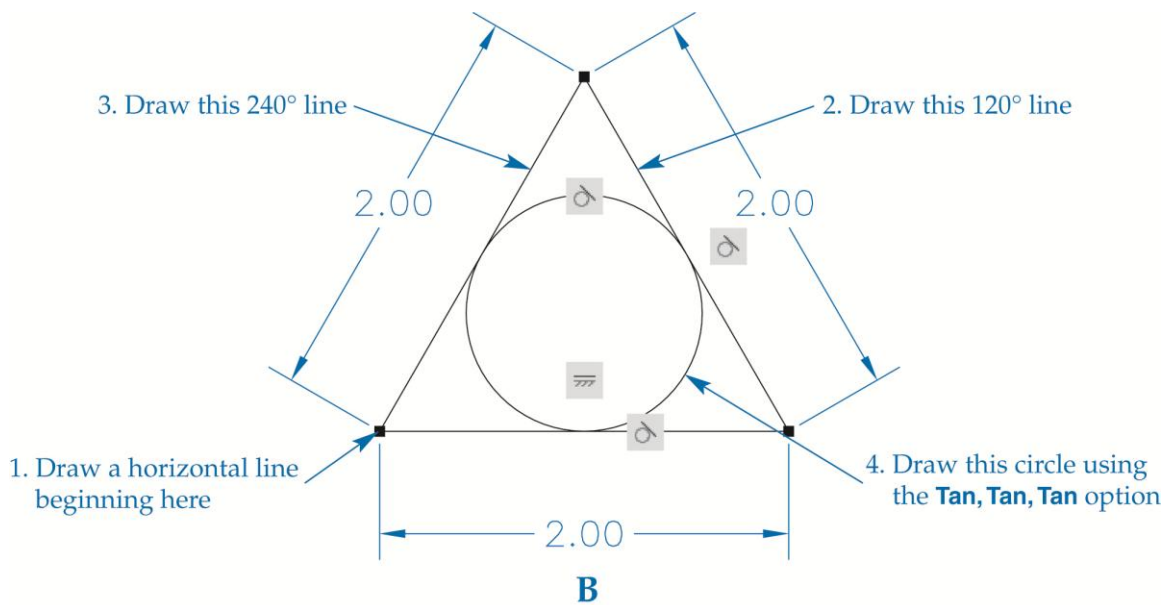
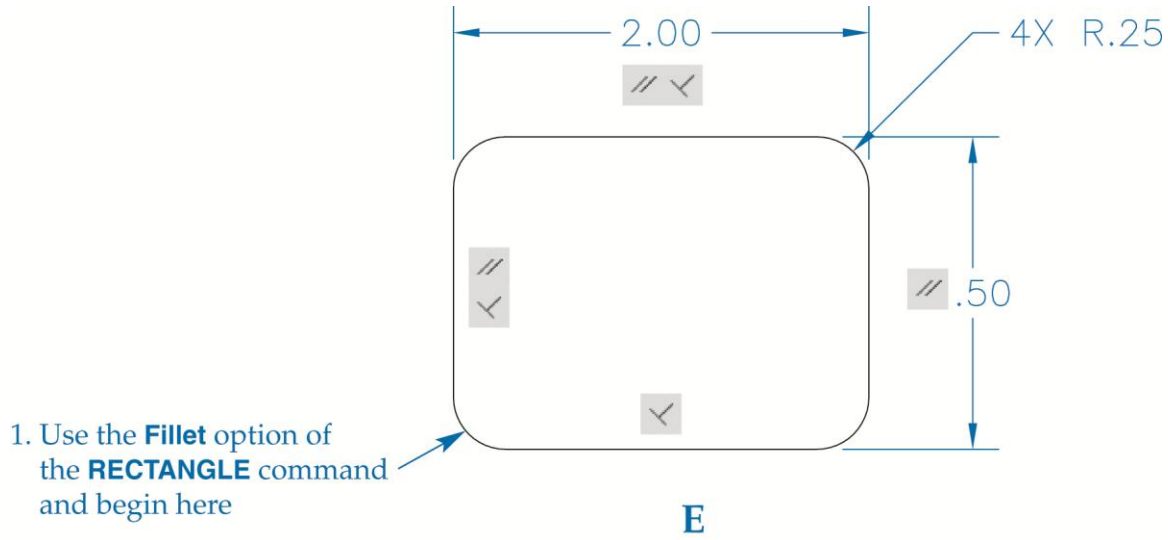
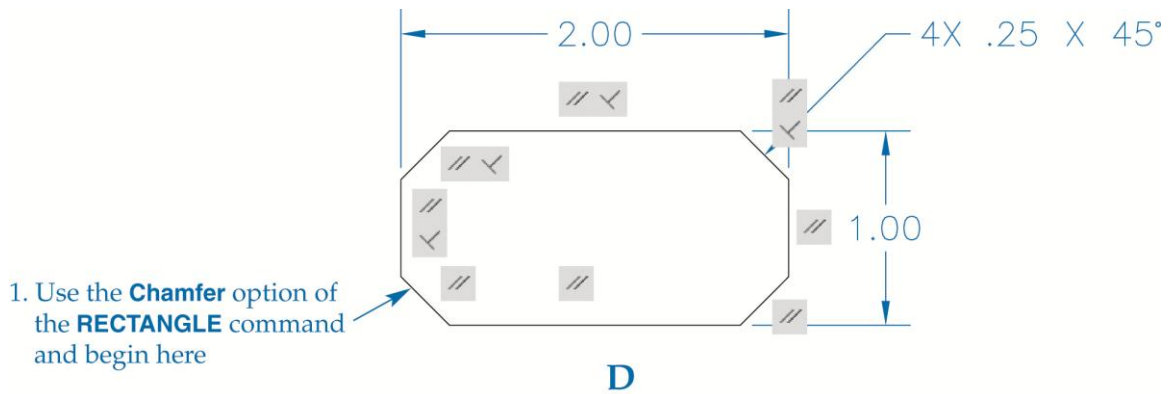


Exercise 22-6

1. Continue from Exercise 22-5 or start AutoCAD.
2. Start a new drawing from scratch or use a decimal-unit template of your choice.
3. Set the drawing units length precision to 0.00.
4. Turn on the **Infer Constraints** tool.
5. Follow the specified steps to draw the views shown. Infer the constraints shown. Draw only the specified objects, and do not add dimensions. Do not create additional constraints.







6. Resave and close the file.
7. Keep AutoCAD open for the next exercise, or exit AutoCAD if necessary.