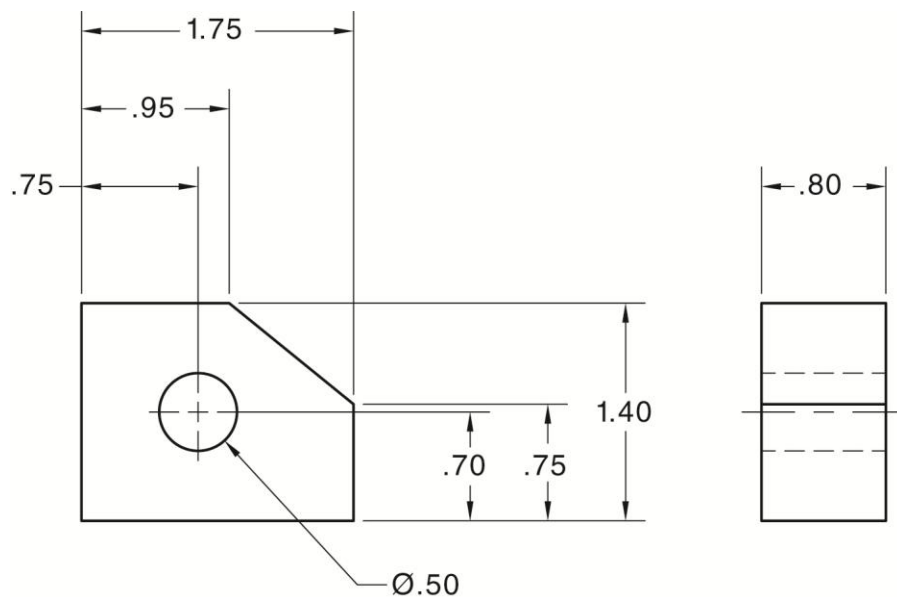


Exercise 22-3

1. Start AutoCAD if it is not already started.
2. Start a new drawing from scratch or use an inch-unit template of your choice.
Save the drawing as EX22-3.
3. Set up the appropriate layers, including a layer for dimensions.
4. Set the drawing units length precision to 0.00.
5. Turn off the **Infer Constraints** tool.
6. Use the **LINE** and **CIRCLE** commands to draw the front and right-side views of the part exactly as shown. Space the views 2.625" apart and extend the centerline in the right-side view .125" past the object. Do not dimension. Do not add the centerlines in the front view.



7. Use the **GCCOINCIDENT** or **GEOMCONSTRAINT** command to add the coincident constraints shown in Figure 22-11. Use the **Autoconstrain** option to add the majority of the coincident constraints.
8. Resave and close the file.
9. Keep AutoCAD open for the next exercise, or exit AutoCAD if necessary.