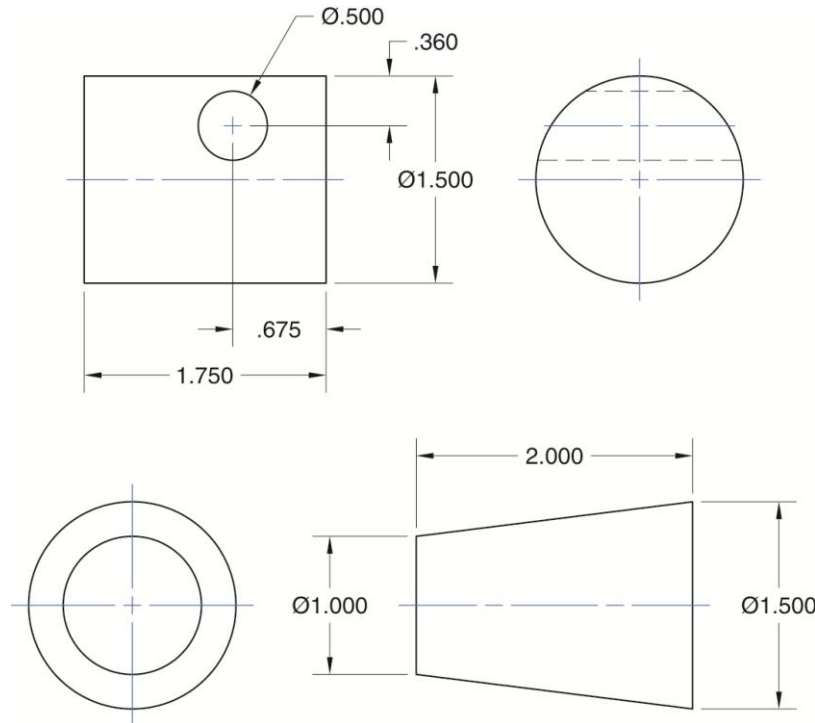


Exercise 18-4

1. Continue from Exercise 18-3 or start AutoCAD.
2. Start a new drawing from scratch or use a decimal-unit template of your choice. Save the drawing as EX18-4.
3. Set up appropriate layers, including a layer for centerlines and dimensions.



4. Draw the object lines for each of the two-view drawings shown. Do not add centerlines or dimensions.
5. Adjust the system variables associated with the **CENTERMARK** and **CENTERLINE** commands as specified in the recommended settings in Figure 18-12.
6. Use the **CENTERMARK** command to add centerlines and center dashes to the circles. Adjust the **CENTERMARKEXE** system variable as necessary.
7. Use the **CENTERLINE** command to add centerlines to the views where the circular features appear as lines, or edges.
8. Resave and close the file.
9. Keep AutoCAD open for the next exercise, or exit AutoCAD if necessary.