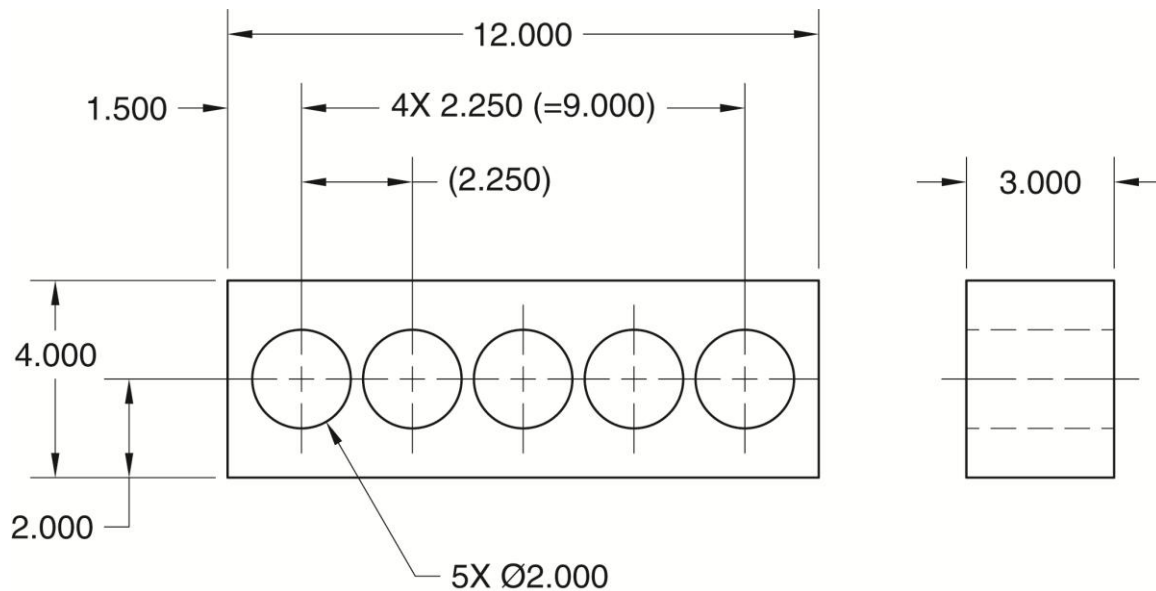


Exercise 12-5

1. Continue from Exercise 12-4 or start AutoCAD.
2. Start a new drawing from scratch or use a decimal-unit template of your choice. Save the drawing as EX12-5.



3. Use the **RECTANGLE** and **CIRCLE** commands and the **Array** option of the **COPY** command to create the views of the manifold shown. Do not add centerlines or dimensions.
4. Resave and close the file.
5. Keep AutoCAD open for the next exercise, or exit AutoCAD if necessary.